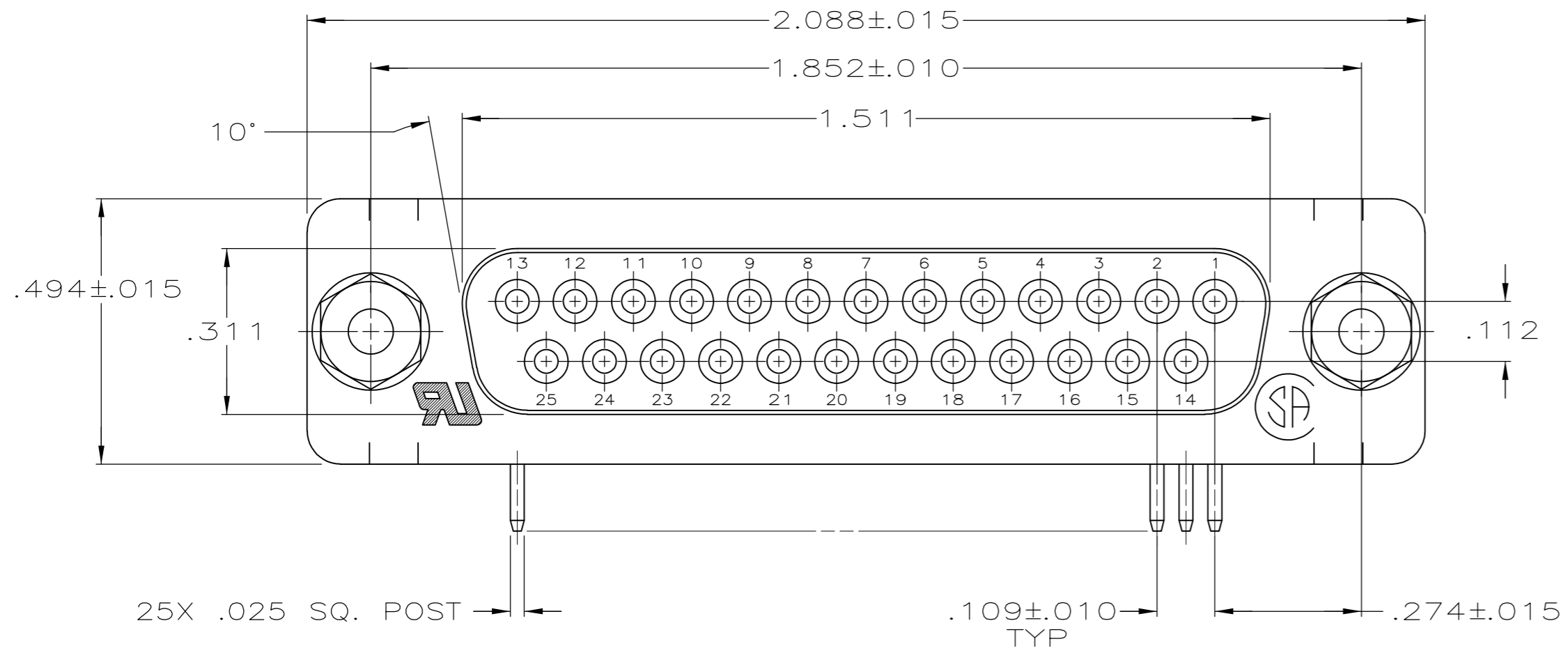


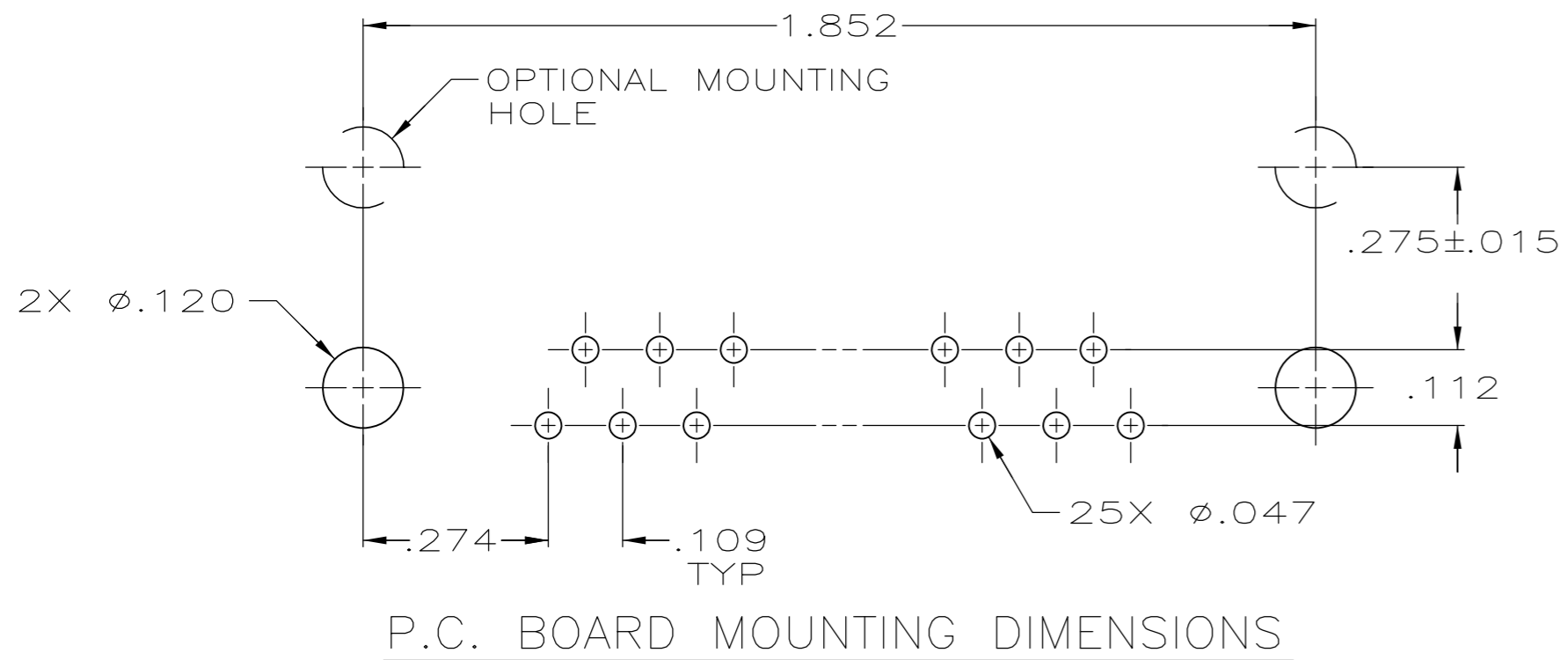
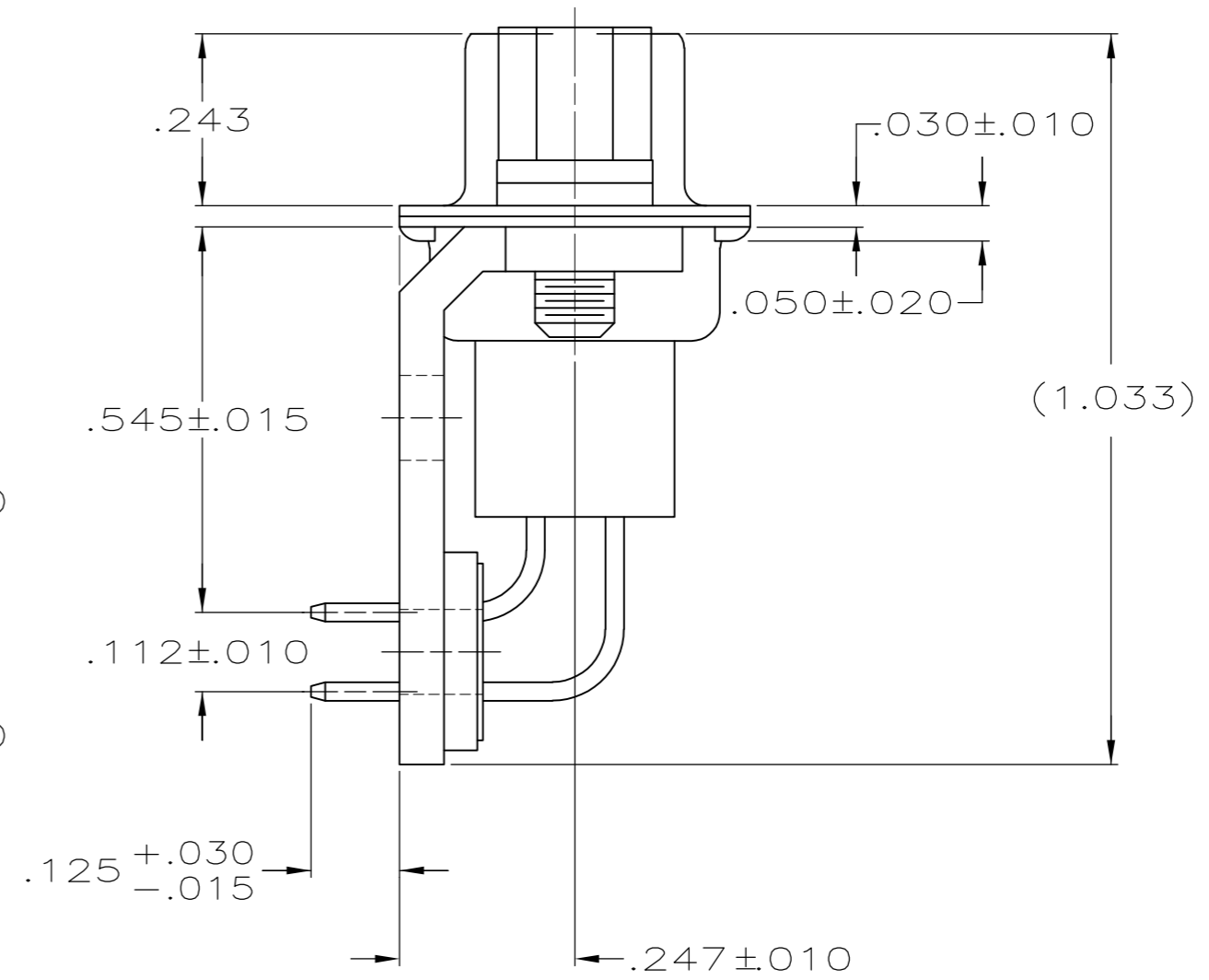
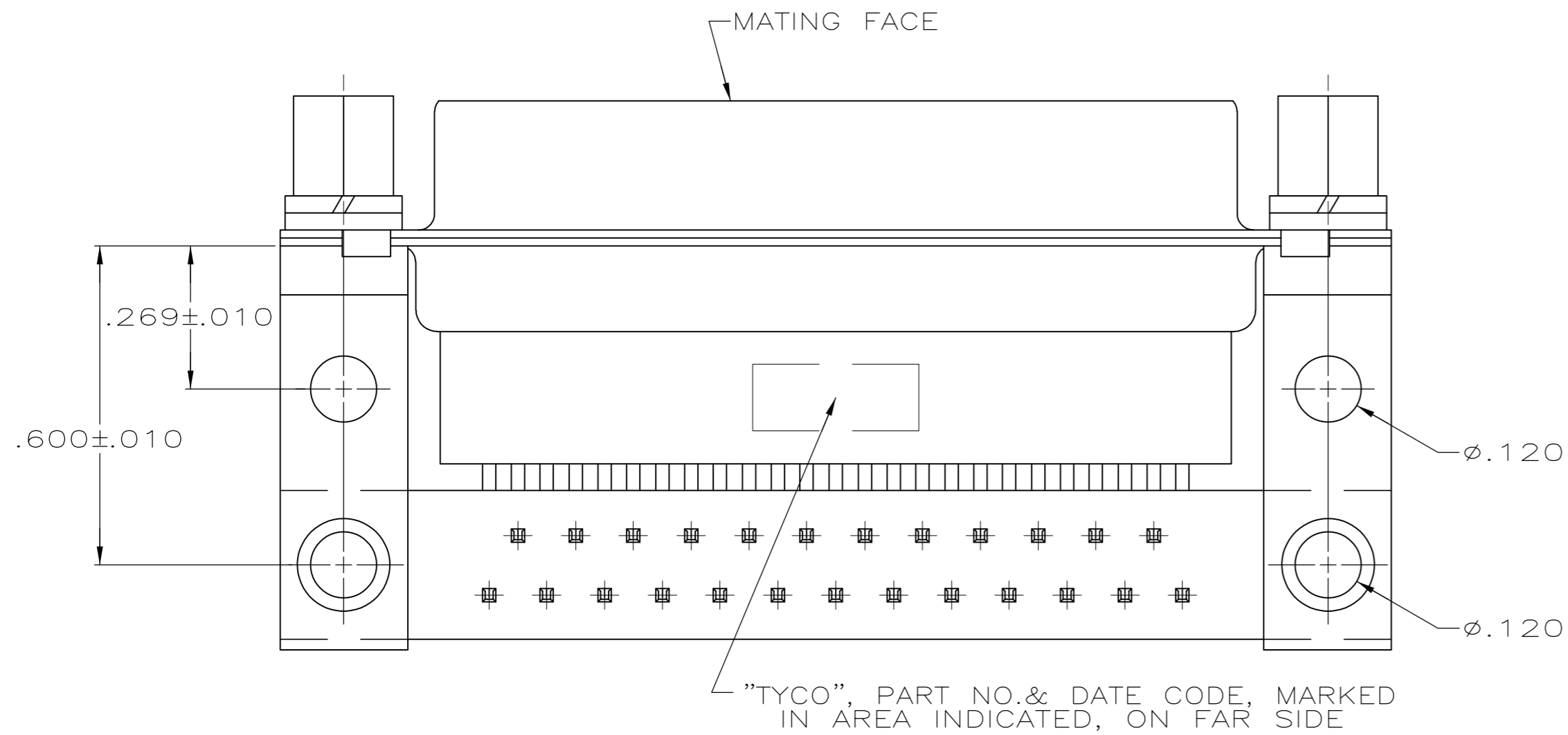
THIS DRAWING IS UNPUBLISHED. RELEASED FOR PUBLICATION
 © COPYRIGHT 2005 By - ALL RIGHTS RESERVED.

LOC		DIST		REVISIONS			
P	LTR	DESCRIPTION		DATE	DWN	APVD	
GP	00	B	REVISED PER ECO-14-011808	11AUG2014	AP	SB	



⚠ MOLDED PARTS: GLASS-FILLED PBT OR GLASS-FILLED NYLON, UL94V-0 RATED. COLOR: BLACK.
 SHELLS & BRACKETS: CARBON STEEL.
 CONTACTS: PHOSPHOR BRONZE.
 SCREWLOCKS & WASHERS: CARBON STEEL.

⚠ SHELLS: .000200 MIN TIN OVER .000100 MIN COPPER.
 BRACKETS: .000200 MIN TIN OVER .000050 MIN COPPER.
 SCREWLOCKS & WASHERS: ZINC PLATED WITH CLEAR CHROMATE COATING.
 CONTACTS: .000030 MIN GOLD FOR A LENGTH OF .100 MIN FROM MATING END, .000100 MIN TIN ON OPPOSITE END, BOTH OVER .000050 MIN NICKEL.
 -OR-
 GOLD FLASH OVER .000030 MIN PALLADIUM NICKEL PLATED FOR A LENGTH OF .100 MIN FROM MATING END, .000100 MIN TIN ON OPPOSITE END, BOTH OVER .000050 MIN NICKEL.



5745536-2
 PART NUMBER

THIS DRAWING IS A CONTROLLED DOCUMENT.		DWN D. HENNY 8-31-05	 TE Connectivity RECEPTACLE ASSEMBLY, SIZE 3, 25 POSITION, RIGHT ANGLE, .545 SERIES, .025 SQ. POSTS, WITH SCREWLOCKS, AMPLIMITE HDP			
DIMENSIONS:	TOLERANCES UNLESS OTHERWISE SPECIFIED:	CHK S. BOLASH 8-31-05				
INCHES	0 PLC ± - 1 PLC ± - 2 PLC ± - 3 PLC ± .005 4 PLC ± - ANGLES ± 2°	APVD M. WALMSLEY 8-31-05				
MATERIAL	FINISH	PRODUCT SPEC 108-40025 APPLICATION SPEC 114-40013 WEIGHT - CUSTOMER DRAWING				
		NAME	SIZE	CAGE CODE	DRAWING NO	RESTRICTED TO
		A2	00779	C=5745536	-	-
		SCALE	SHEET	REV		
		4:1	1 of 1	B		